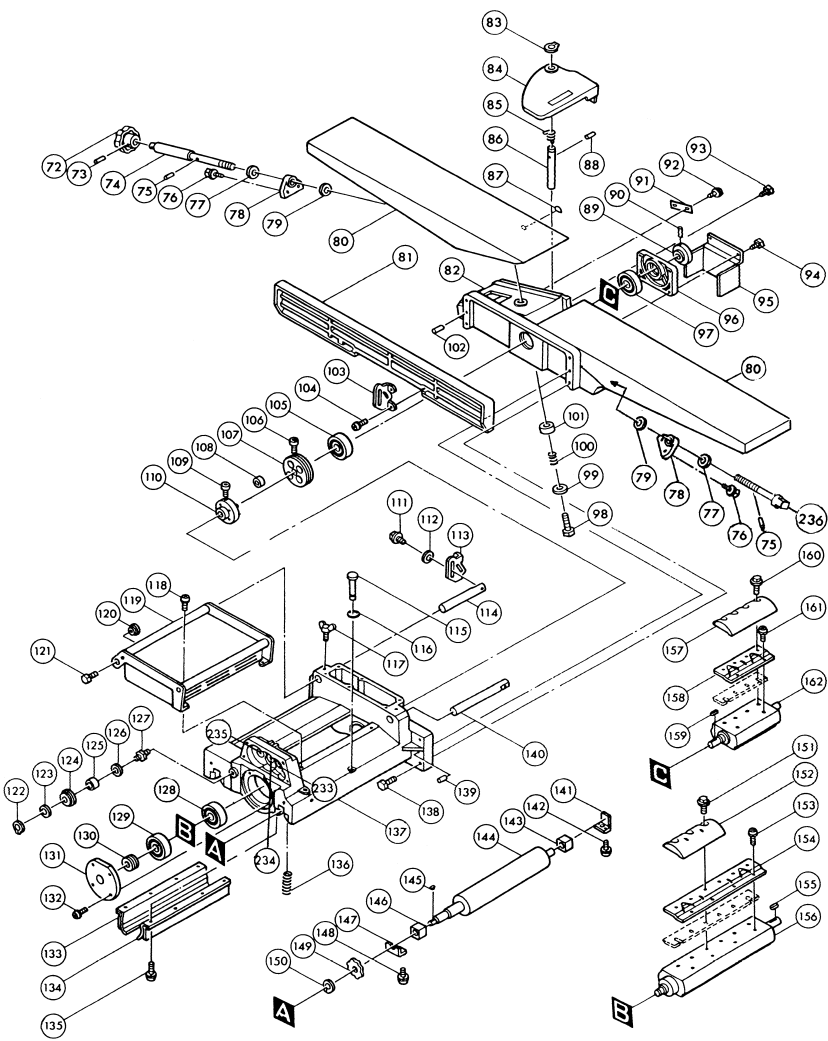


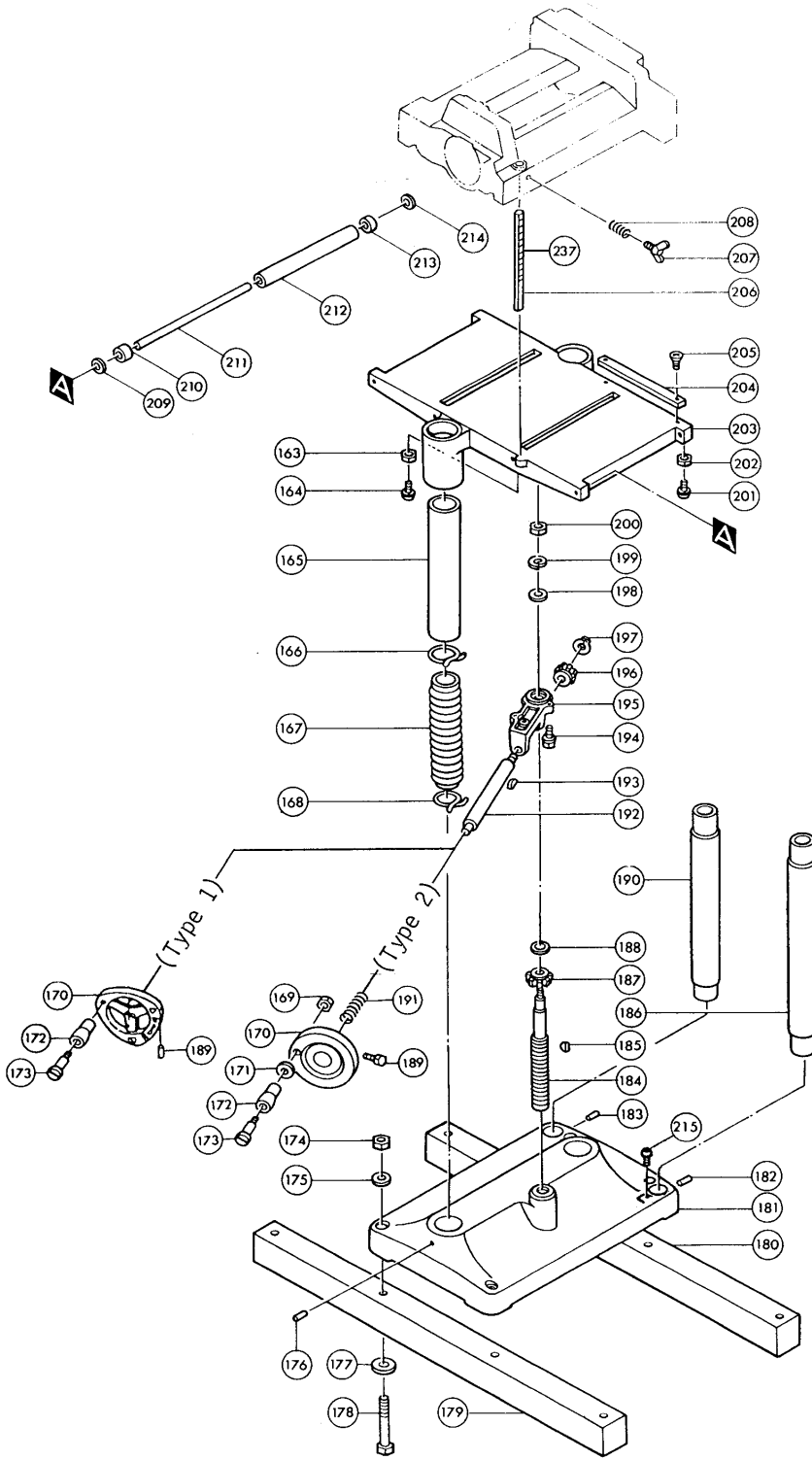
Item No.	Part No.	No. Used	Description
20	225043-3	1	Poly V-Belt 3-285
21	951119-7	1	Spring Pin 4-24
22	156424-9	1	Gear Housing Cover (With Items 225 - 227)
23	911256-9	4	P.H. Screw M5X35 (With Washer)
24	343302-4	1	Chain Cover (A)
25	911211-1	2	P.H. Screw M5X12 (With Washer)
26	225508-5	1	Chain 35-76
27	164459-6	1	Chain Cover (B)
28	911261-6	1	P.H. Screw M5X40 (With Washer)
29	654502-4	2	Solderless Connector P-2
30	911241-2	3	P.H. Screw M5X25 (With Washer)
31	911211-1	2	P.H. Screw M5X12 (With Washer)
32	343303-2	1	Belt Cover
33	225044-1	1	Poly V-Belt 9-563
34	222061-2	1	V-Pulley 9-30
35	312934-8	1	Bracket
36	263005-3	1	Rubber Pin 6
37	211106-1	1	Ball Bearing 6201LLB
38	213102-5	1	Dust Seal 12
39	241514-2	1	Fan 92
40	614546-6	1	Armature Assy 115V (Includes Items 37-39, 42 & 43)
	614548-2	1	Armature Assy 220V (Includes Items 37-39, 42 & 43)
41	911942-2	2	P.H. Screw M5X95 (With Washer & Bond) (Old 911910-5)
42	213051-6	1	Dust Seal 10
43	211066-7	1	Ball Bearing 6200LLB
44	624496-7	1	Field Assy 115V (With Items 10 & 29)
	624498-3	1	Field Assy 115V (With Items 10 & 29)
45	*	1	Motor Housing (With Items 36, 228 & 229) **
46	921451-3	4	Hex Bolt M8X30 (With Washer)
47	911211-1	2	P.H. Screw M5X12 (With Washer)
48	284043-2	1	Rear Cover
49	681002-1	2	Insulation Washer
50	181047-4	2	Carbon Brush CB-154
	181048-2	2	Auto Cut-Off Carbon Brush CB-155 (Optional)
51	643650-4	2	Brush Holder Cap
52	253759-0	1	Flat Washer 12
53	226036-3	1	Gear 13-25
54	253759-0	1	Flat Washer 12
55	253760-5	1	Flat Washer 14
56	221631-4	1	Helical Gear 59
57	254001-2	1	Woodruff Key 4
58	254001-2	1	Woodruff Key 4
59	325533-7	1	Driving Shaft
60	253760-5	1	Flat Washer 14
61	163112-1	1	Tensioner
62	231745-1	1	Tension Spring 9
63	961110-7	1	Retaining Ring S-30
64	221503-3	1	Sprocket 15
65	961052-5	1	Retaining Ring S-12
66	253758-2	1	Flat Washer 10
67	226035-5	1	Gear 11-61
68	253758-2	1	Flat Washer 10
69	211031-6	1	Ball Bearing 608LLB
70	221630-6	1	Helical Gear 12
71	211031-6	1	Ball Bearing 608LLB
222	652103-2	2	Hex Nut M12
223	652061-2	2	Toothed Lock Washer 12
224	652101-6	2	Hex Nut M12
225	214052-7	1	Plane Bearing 10
226	214103-6	1	Plane Bearing 12
227	214156-5	1	Plane Bearing 14
228	643653-8	2	Brush Holder
229	913206-0	2	Set Screw M5X8
230	341713-7	1	Switch Cover
231	341714-5	1	Key
232	232064-8	1	Leaf Spring

Item No.	Part No.	No. Used	Description
1	341710-3	1	Switch Protector (Old 342186-7)
2	911116-5	6	P.H. Screw M4X12 (With Washer)
3	155236-7	1	Switch Plate
4	651750-6	1	Switch
5	817615-4	1	Caution Label (English)
	817628-5	1	Caution Label (French)
7	911116-5	1	P.H. Screw M4X12 (With Washer)
8	687639-2	1	Strain Relief
9	953206-8	2	Rivet 2-5
10	654020-2	2	Garter Spring
11	231226-5	1	Compression Spring 11
12	911116-5	2	P.H. Screw M4X12 (With Washer)
13	*	1	Strain Relief
14	664723-0	1	Cord With Plug 3P-16-2.5M SJ (115V)
	664124-2	1	Cord 3P-18-2.5 (220V) (Cut Down Original Plug and connect to Certified Plug for 220V)
15	682505-8	1	Cord Guard (115V)
	682503-2	1	Cord Guard (220V)
16	687601-7	1	Strain Relief
17	911116-5	2	P.H. Screw M4X12 (With Washer)
18	323667-0	1	Stopper Pin
19	222060-4	1	V-Pulley 3-30



Item No .	Part No.	No. Used	Description
103	342512-0	1	Ruler Holder (R)
104	911221-8	4	P.H. Screw M5X16 (With Washer)
105	211256-2	1	Ball Bearing 6203LLB
106	*	1	Bolt
107	222062-0	1	V-Pulley 9-63
108	262506-8	4	Sleeve 10
109	*	1	Bolt
110	152131-2	1	Coupling (With Items 109 & 220)
111	251644-1	4	Hex Flange Head Bolt M8X20
112	941201-0	4	Flat Washer 8
113	342513-8	1	Ruler Holder (L)
114	*	1	Ruler Bar (S)
115	323666-2	1	Stopper
116	213009-5	1	O Ring 4
117	924321-5	2	Thumb Screw M6X18
118	911206-4	2	P.H. Screw M5X10 (With Washer)
119	152138-8	1	Chip Cover Com.(Roller only (N/A)
120	323674-3	1	Nut M8X25
121	921421-2	1	Hex Bolt M8X16 (With Washer)
122	961052-5	1	Retaining Ring S-12
123	253759-0	1	Flat Washer 12
124	323407-6	1	Tension Roller
125	212104-8	1	Needle Bearing 1212
126	253759-0	1	Flat Washer 12
127	333125-8	1	Tension Core
128	211261-9	1	Ball Bearing 6303LLB
129	211261-9	1	Ball Bearing 6303LLB
130	222059-9	1	V-Pulley 3-25
131	311413-3	1	Bearing Box
132	911221-8	4	P.H. Screw M5X16 (With Washer)
133	*	1	Pressure Plate
134	*	1	Chip Breaker
135	*	8	P.H. Screw M5X16 (With Washer)
136	231242-7	4	Compression Spring 14
137	*	1	Main Frame (With Items 230 - 232)
138	921571-3	4	Hex Bolt M10X50 (With Washer)
139	951325-4	1	Spring Pin 10-50
140	*	1	Ruler Bar (L)
141	342251-2	2	Metal Cover (A) (Type 1)
	341685-6	2	Metal Cover (A) (Type 2)
Above parts are completely interchangeable			
142	911221-8	4	P.H. Screw M5X16 (With Washer)
143	214152-3	2	Plane Bearing 14
144	162090-2	2	Roller 50-284
145	254001-2	2	Woodruff Key 4
146	214152-3	2	Plane Bearing 14
147	342252-0	2	Metal Cover (B) (Type 1)(NLA)
	341686-4	2	Metal Cover (B) (Type 2)
	343844-8	2	Metal Cover (B) (Type 3)
Above parts are completely interchangeable			
148	911221-8	4	P.H. Screw M5X16 (With Washer)
149	221503-3	2	Sprocket 15
150	961052-5	2	Retaining Ring S-21
151	251690-4	12	Hex Flange Head Bolt M8X30
152	345146-8	4	Drum Cover 300
153	911211-1	8	P.H. Screw M5X12 (With Washer)
154	342505-7	2	Blade Holder 300
155	254218-7	1	Key 5
156	161057-7	1	Main Drum
157	345144-2	2	Drum Cover 155
158	342504-9	2	Blade Holder 155
159	254218-7	1	Key 5
160	251690-4	8	Hex Flange Head Bolt M8X30
161	911211-1	4	P.H. Screw M5X12(With Washer)
162	161058-5	1	Sub Drum
233	214052-7	1	Plane Bearing 10
234	214103-6	1	Plane Bearing 12
235	214154-9	1	Plane Bearing 14
236	322277-0	1	Adjust Screw *

Item No .	Part No.	No. Used	Description
72	271211-6	1	Knob 70
73	951169-2	1	Spring Pin 5-28
74	323668-8	1	Adjust Pole
75	951213-5	2	Spring Pin 6-24*
76	921451-3	4	Hex Bolt M8X30 (With Washer)*
77	941352-9	2	Flat Washer 14 *
78	311271-7	2	Bar Holder *
79	941352-9	2	Flat Washer 14 *
80	311408-6	2	Adjust Bed *
81	311417-5	1	Fence
82	*	1	Fix Bed/Sub Frame
83	961052-5	1	Retaining Ring S-12
84	155209-0	1	Drum Cover Com.
85	231521-3	1	Torsion Spring 14
86	256921-6	1	Rod 12-125
87	812074-7	1	Indication Label
88	951119-7	1	Spring Pin 4-24
89	271234-4	1	Knob 40
90	951119-7	1	Spring Pin 4-24
91	812120-6	1	Scale Plate
92	911106-8	2	P.H. Screw M4X8 (With Washer)
93	921312-7	1	Hex Bolt M6X12 (Old 924321-5)
94	921341-0	4	Hex Bolt M6X25 (With Washer)
95	342506-5	1	Chip Guide
96	311412-5	1	Bearing Cover
97	211256-2	1	Ball Bearing 6203LLB
98	921682-4	2	Hex Bolt M12X60
99	941301-6	2	Flat Washer 12 *
100	231048-3	2	Compression Spring 13 *
101	253922-5	2	Cup Washer 12 *
102	951325-4	1	Spring Pin 10-50



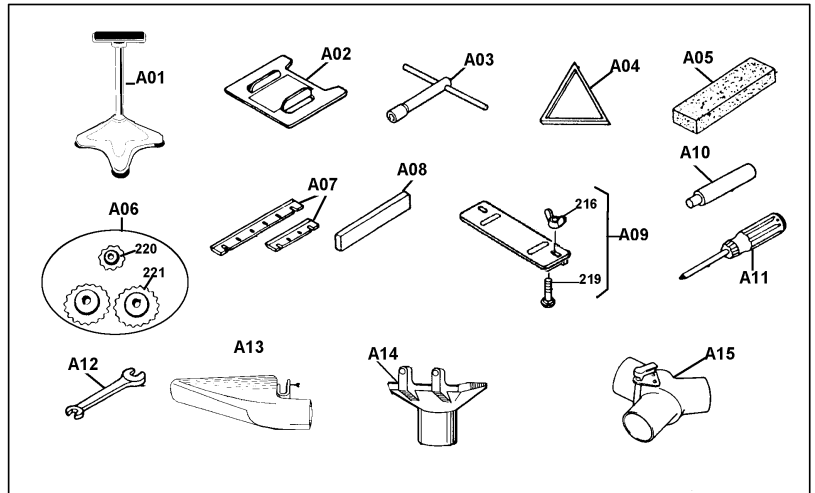
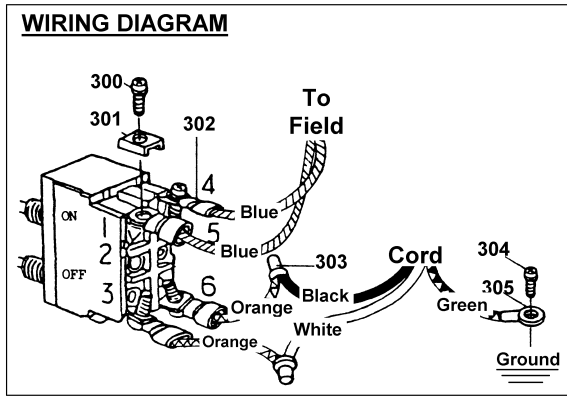
Item No.	Part No.	No. Used	Description
163	931302-2	4	Hex Nut M6
164	911362-0	4	P.H. Screw M6X40
165	333120-8	2	Column
166	321293-9	2	Snap Ring 65
167	411783-1	2	Bellows
168	321294-7	2	Snap Ring 55
169	931501-6	1	Hex Nut M10 (Type 2)
170	271022-9	1	Handle (Type 1) (Grey Metal) (No Longer Available)
	155336-3	1	Handle (Type 2) (Black Plastic)

Item No.	Part No.	No. Used	Description
171	941251-5	1	Flat Washer 10 (Type 2)
172	273420-3	1	Grip 30
173	251904-1	1	Bolt M10
174	252038-3	4	Hex Nut M10-17
175	941251-5	4	Flat Washer 10
176	951293-1	4	Spring Pin 8-90
177	253134-0	4	Flat Washer 11
178	251665-3	4	Hex Bolt M10X120
179	441020-9	1	Stable Base
180	441019-4	1	Stable Base
181	311411-7	1	Base
182	951213-5	2	Spring Pin 6-24
183	951213-5	2	Spring Pin 6-24
184	325534-5	1	Screw M24
185	254001-2	1	Woodruff Key 4
186	*	1	Pipe 4
187	221317-0	1	Straight Bevel Gear 16
188	212211-7	1	Thrust Needle Bearing 1528
189	951166-8	1	Spring Pin 5-24 (Type 1)
	921432-7	1	Hex Bolt M8X20 (Type 2)
190	333121-6	1	Pipe 42-465
191	231267-1	1	Compression Spring 19 Type 2)
192	325535-3	1	Handle Shaft
193	254001-2	1	Woodruff Key 4
194	921351-7	5	Hex Bolt M6X30 (With Washer)
195	311410-9	1	Handle Supporter
196	221317-0	1	Straight Bevel Gear 16
197	961055-9	1	Retaining Ring S-15
198	253843-1	1	Flat Washer 12
199	942301-9	1	Spring Washer 12
200	931601-2	1	Hex Nut M12
201	911352-3	4	P.H. Screw M6X30
202	931302-2	4	Hex Nut M6
203	311409-4	1	Main Bed
204	331089-0	1	Ruler
205	912226-1	2	Countersunk Head Screw M5X18 (With Washer)
206	155298-5	1	Scale Bar With [Item 237 (Type 1)]
	331088-2	1	Scale Bar only (Type 2)
207	924321-5	1	Thumb Screw M6X18
208	231005-1	1	Compression Spring 7
209	941251-5	4	Flat Washer 10
210	214054-3	4	Plane Bearing 10
211	321057-1	4	Rod 10-315
212	333123-2	4	Roller 26-265
213	214054-3	4	Plane Bearing 10
214	941251-5	4	Flat Washer 10
215	911831-1	1	Screw M5X10 (Type 1 only)
216	934301-3	2	Wing Nut M6
219	251920-3	2	Countersunk Square Neck Bolt M6X30
220	221515-6	1	Sprocket 10
221	221516-4	2	Sprocket 18
237	816613-5	1	Scale Label
300	652008-6	4	P.H. Screw M3.5X7 (With Washer)
301	652250-4	4	Clamp Washer
302	654037-5	4	Insulated Eye Terminal FV1.25-M3
303	654510-5	2	Closed End Connector 5.5SD(115V)
	654509-0	2	Closed End Connector 2-SD(220V)
304	652012-5	1	Grounding Screw M4X8
305	654002-4	1	Solderless Eye Terminal 1.25-M4

Accessories

A01	122106-5	1	Auxilliary Roller Stand
A02	155193-9	1	Leveller
A03	782213-2	1	Socket Wrench 13
A04	762001-3	1	Triangle
A05	794060-9	1	Dressing Stone
A06	191440-4	1	Sprocket Set (Speed Reducer)
A07	-----	2	Planer Blades (See Last Page for Details)
A08	441021-7	2	Wooden Leveller
A09	123006-2	1	Sharpening Holder Assy (Assembled Items 216 & 219)

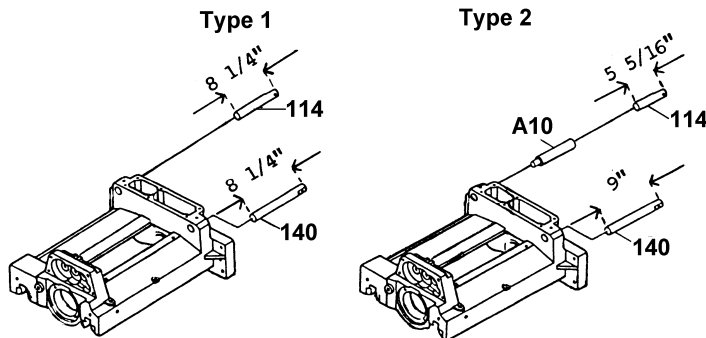
* SERVICE CHANGES



Item No.	Part No.	No. Used	Description	Item No.	Part No.	No. Used	Description
A10	*	1	Extension Guide	A14	191777-9	1	Hood Set (For Jointer Feed Side) (Connect to Model 410 - Dust Collector)
A11	783002-8	1	Screwdriver 2	A15	122342-3	1	Y-Joint Assy (Connect to Model 410 - Dust Collector)
A12	781202-4	1	Wrench 10-13				
A13	191720-8	1	Hood Set (Connect to Model 410 -Dust Collector)				

SERVICE CHANGES

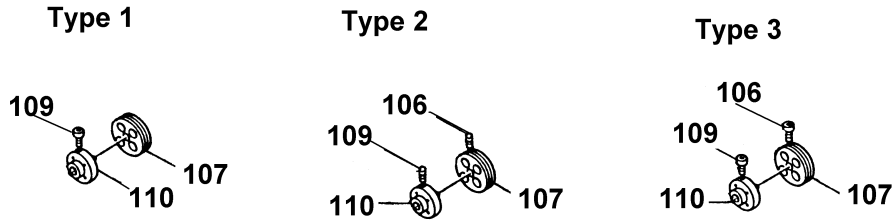
1. Change on Ruler Bars.



Item No.	Description	Type 1	Type 2
114	Ruler Bar	324009-1(No Longer Available)	324011-4 (S)
140	Ruler Bar	324009-1(No Longer Available)	324010-6 (L)
A10	Extension Guide	-----	323707-4 (Added)

Above parts are completely interchangeable as a set.

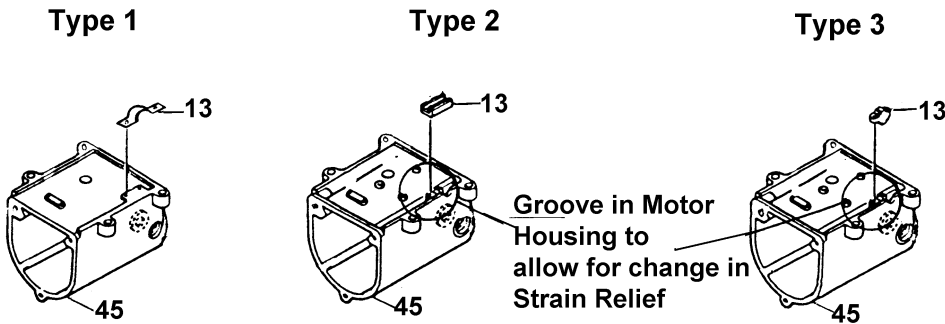
2. Change on Bolt for V-Pulley and Coupling.



Item No.	Description	Type 1	Type 2	Type 3
106	Bolt	-----	251961-9	922212-4
107	V-Pulley 9-63	222062-0		
		No Screw Hole for Item 106 (Discontinued)	Has 6mm Screw Hole to accept Item 106(Discontinued)	Has 5mm Screw Hole to accept Item 106
109	Bolt	922222-1	251961-9	922212-4
110	Coupling	152131-2		
		Has 5mm Screw Hole To accept Item 109 (D iscontinued)	Has 6mm Screw Hole to Accept Item 109 (Discontinued)	Has 5mm Screw Hole to accept Item 109

Above parts are completely interchangeable as a set.
When replacing either V-Pulley or Coupling, replace them with complete set of Type 3 parts.

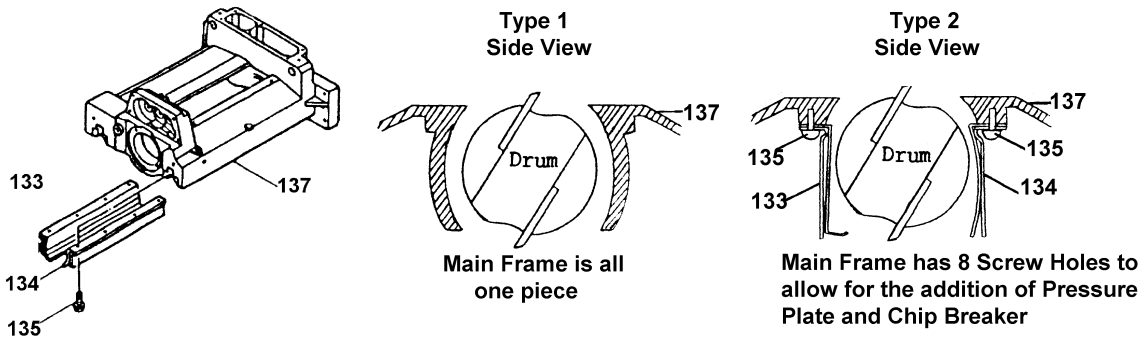
3. Change on Motor Housing and Strain Relief.



Item No.	Description	Type 1	Type 2	Type 3
13	Strain Relief	687628-7	687600-9	687001-1
45	Motor Housing	156453-2 (No Longer Available)	156422-3	

Above parts are completely interchangeable as a set.

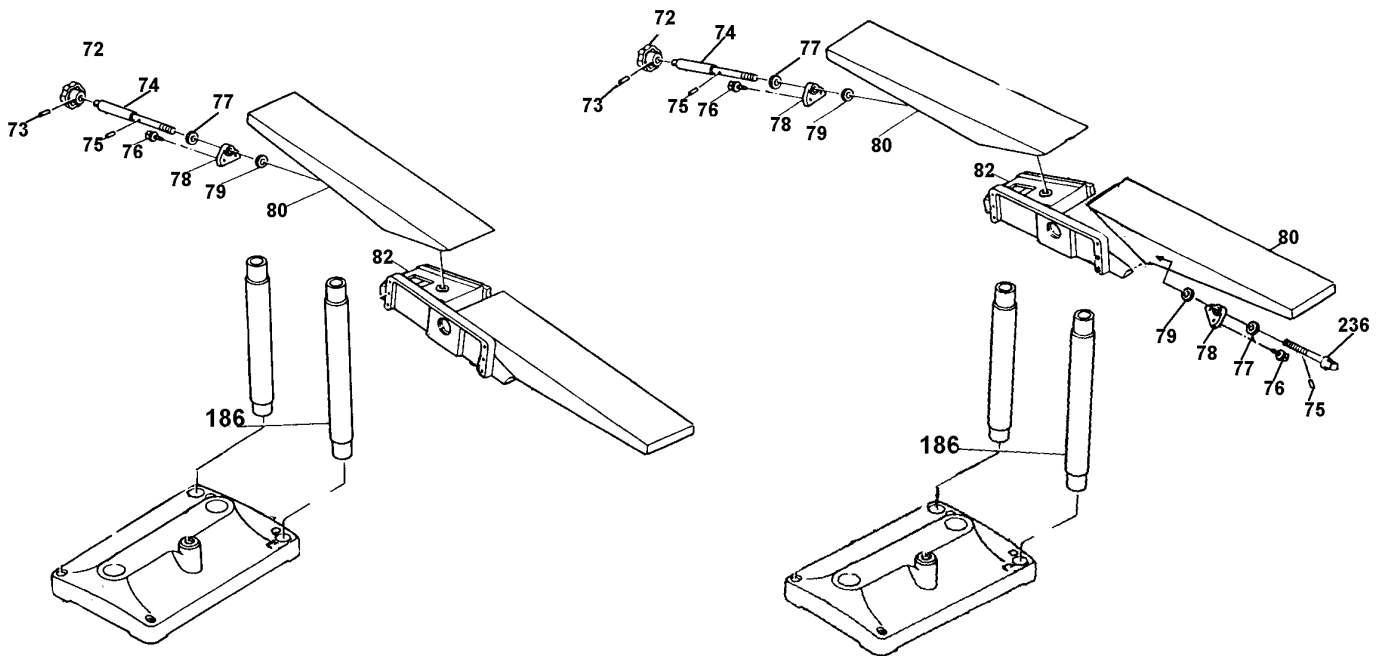
4. Change on Main Frame, Pressure Plate and add Chip Breaker.



Item No.	Description	Type 1	Type 2
133	Pressure Plate	-----	164506-3 (Added)
134	Chip Breaker	-----	164505-5 (Added)
135	P.H. Screw M5X16	-----	911221-8 (8pcs Added)
137	Main Frame	156423-1 (No Longer Available)	156423-1A
	Serial No.	~ 2285E	2286E ~

Above parts are completely interchangeable as a set.
When replacing Type 1 parts, replace it with complete set of Type 2 parts.

5. Change on Fix Bed, Adjust Bed, Pipe etc..



Item No.	Description	Type 1	Type 2
75	Spring Pin 6-24	951213-5	
		1 piece	2 pieces
76	Hex Bolt M8X30 (With Washer)	921451-3	
		2 pieces	4 pieces
77	Flat Washer 14	941352-9	
		1 piece	2 pieces
78	Bar Holder	311271-7	
		1 piece	2 pieces
79	Flat Washer 14	941352-9	
		1 piece	2 pieces
80	Adjust Bed	311408-6	
		1 piece	2 pieces
82	Fix Bed/ Sub Frame	311407-8 (Fix Bed)	311845-4 (Sub Frame)
98	Hex Bolt M12X60	921682-4	
		1 piece	2 pieces
99	Flat Washer 12	941301-6	
		1 piece	2 pieces
100	Compression Spring 13	231048-3	
		1 piece	2 pieces
101	Cup Washer 12	253922-5	
		1 piece	2 pieces
186	Pipe	333122-4 (42-530)	331346-6 (42-505)
236	Adjust Screw	-----	322277-0

Above parts are completely interchangeable as a set.

Planer Blades

Style	Description	For Model(s)	Metric Size	2 / Pk Part No.
2" Planer Blades (Cordless Models)	High Speed Steel - Double Edge	1051DWD	50mm	A-90401
3-1/8" Planer Blades	High Speed Steel - Double Edge	1600	400mm	793001-2
6-1/8" Planer Blades	High Speed Steel - Single Edge	1805C / N 2030S / SC	155mm	793013-5
	High Speed Steel - Double Edge / Reversible	2030		793014-3
8" Jointer Blades	High Speed Steel - Single Edge	2020	203mm	793187-2
12" Thickness Planer Blades	High Speed Steel - Single Edge	2030-1 2030-2 2030-3	306mm	793018-5
	Carbide - Single Edge		306mm	793137-7
15-5/8" Thickness Planer Blades	High Speed Steel - Single Edge	2040 Series	400mm	793019-3
	Carbide - Single Edge			793069-8